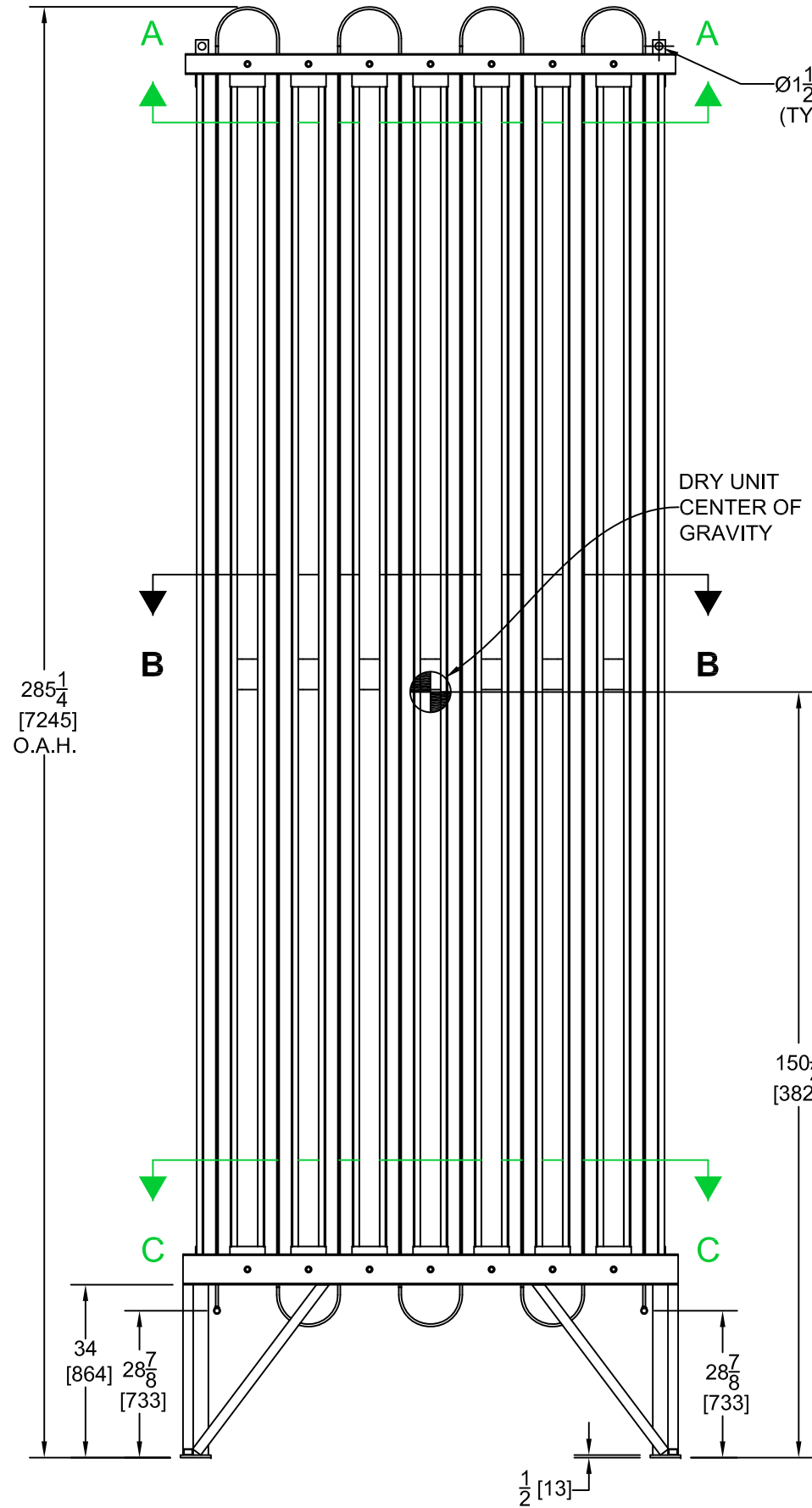
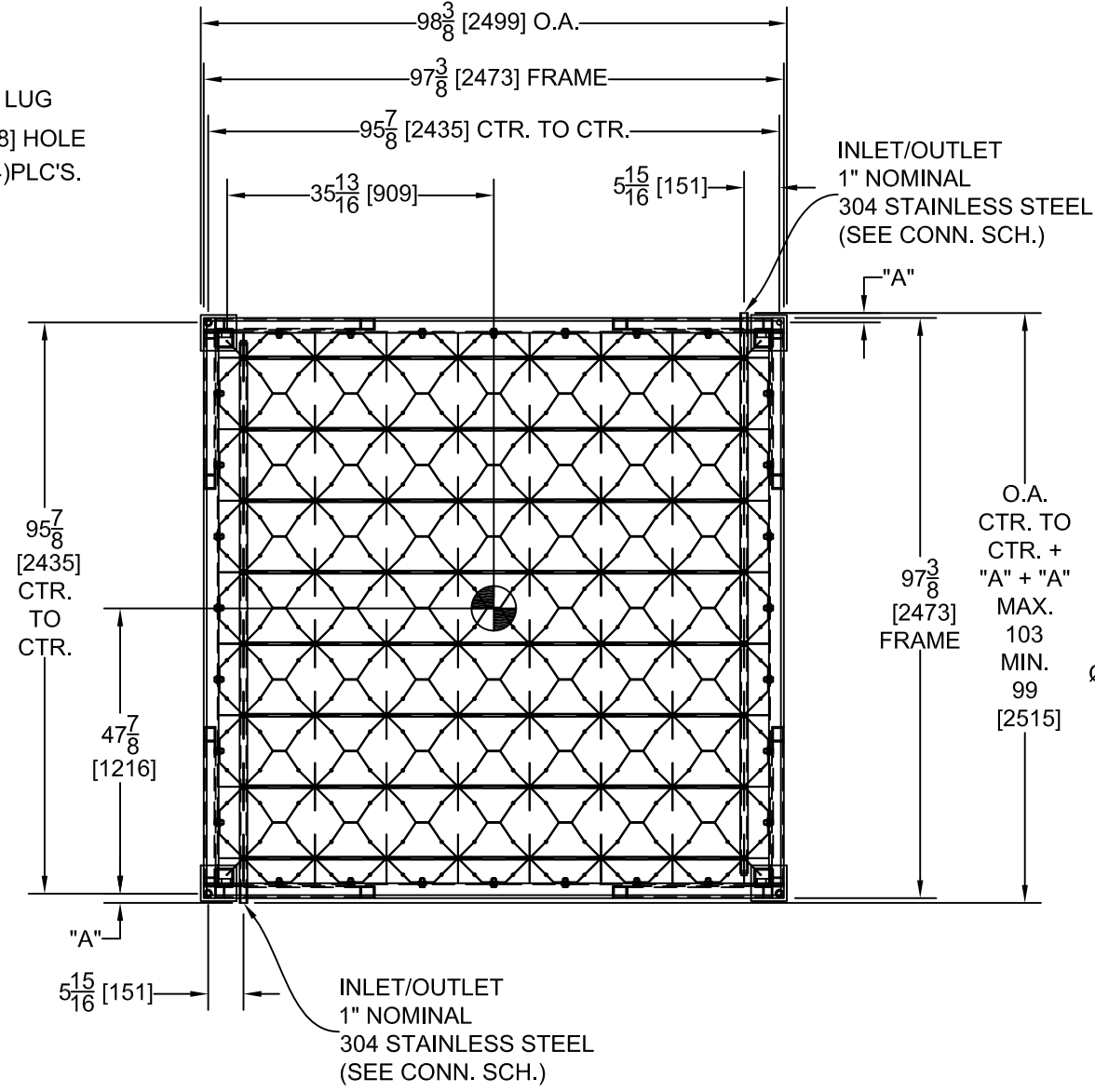


WARNING AGA, ASME OR OTHER MANUAL AND TECHNICAL DATA FOR REQUIRED SAFETY PROCEDURES SHOULD BE DONE ONLY BY EXPERIENCED PERSONNEL. REFER TO APPROPRIATE NFPA, CGA, HANDLING PRESSURIZED, HOT, CRYOGENIC AND/OR FLAMMABLE FLUIDS AND EQUIPMENT

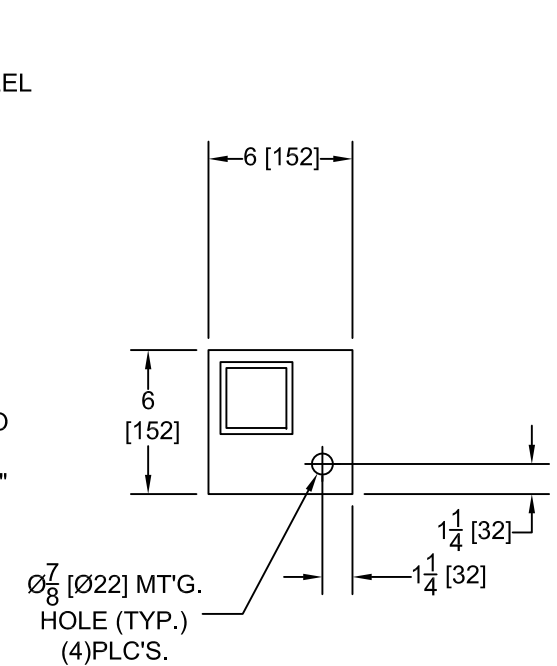


FRONT ELEVATION

150 1/2 [3823]



TOP VIEW
SCALE = 1 : 30



FOOT DETAIL
SCALE = 1 : 8

GENERAL NOTES:

- CLEAN FOR: OXYGEN SERVICE
- DESIGN TEMPERATURE: -320°F TO 150°F [-196°C TO 66°C]
- DESIGN PRESSURE: 4,000 P.S.I.G. [276 BARG]
TEST PRESSURE: 6,000 P.S.I.G. [414 BARG] (HYDRO)
- APPROX. UNCRATED SHIPPING WEIGHT: 3,885 LBS. [1,762 KG]
- APPROX. UNCRATED SHIPPING DIMENSIONS: 286"L x 100"W x 103"H
(SHIPPING DIMENSIONS MAY VARY BASED ON CONNECTION & SHIPPING OPTIONS)
- MATERIAL OF CONSTRUCTION: 6000 SERIES ALUMINUM STRUCTURE AND FINS/
304 STAINLESS STEEL WETTED PARTS

SHOP NOTES:

- MILL CERT'S. REQ'D. (SEE MAT'L. LIST)

US 1" NOMINAL STAINLESS STEEL CONNECTION SCHEDULE - AVAILABLE OPTIONS

CONNECTION TYPE	"A"	CONNECTION TYPE	"A"
BUTT WELD (I.P.S.) (STANDARD)	1 9/16" [40]	N.P.T. (FEMALE)	3 1/4" [83]
SOCKET WELD (I.P.S.)	2 5/8" [67]	N.P.T. (MALE)	3 9/16" [90]

REV.	DATE	DR. BY	CK. BY

This product and/or data was designed and/or developed by Thermax Inc. and shall not be used in any way injurious to the interests of Thermax Inc.

Thermax Inc.
540 Hawthorn St., Dartmouth, MA 02747

TITLE
8" Thermaxin Supergap 1/2" Stainless Steel Lined Ambient Vaporizer
SG770SS-4.0

SCALE: 1 : 30	DR. BY: JEJ	CK. BY: JEJ	CUSTOMER DRAWING
DATE: 1/23/2009	QC:	SHT OF 1 1	STANDARD

JOB NO: **F7000-40**
REV: **0**
DWG. NO: **L507-64-20-2**